

# MicroLine CCD Camera

## MLx285

High quantum efficiency and exceptionally low read noise give the MLx285 sensitivity down to microlux from visible to the near infrared.

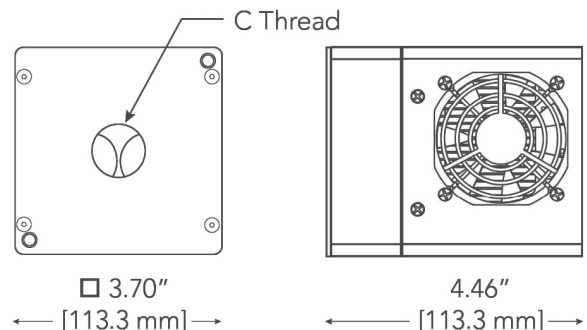
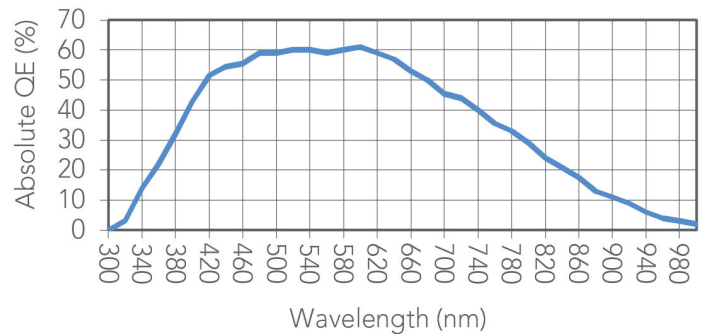
### Technical Data

Sensor Type	Interline transfer CCD
Sensor	Sony ICX285
Active Pixels	1360 x 1024
Pixel Size (microns)	6.45 x 6.45 $\mu\text{m}$
Imaging Area (Diagonal)	8.7 X 6.6 mm (10.9 mm)
Full Well Capacity	20000 electrons
Typical_Readout Noise	4.5e- @ 7 MHz
Typical Gain	0.34e-/ADU
Dynamic Range	72.7 dB
Anti-Blooming	Yes (unspecified)
Cooling Method	Air (optional liquid)
Max. Cooling (Air)	60°C below ambient
Temperature Stability	0.1°C
Dark Current (typical)	0.0001 eps at -40C
Interface	USB 2.0
Digitization Clock	7 MHz
Data Bit Depth	16 bit
Non-Linearity	<1%
Channels	1
Shutter	Electronic; optional 25 mm
Lens Mount	C-mount; optional Nikon or Canon
Subarray Readout	Standard
External Trigger In/Out	Standard
SDK / Software	USB2 / FLIGrab
Weight	2.8 lbs (1.2 kg)
Environment	-30°C to 45°C   10% - 90% Relative Humidity
Power	12V (100-240V AC to 12V DC power supply included). With TEC off: <1A. TEC



C-mount version; other mounts available

### Absolute Quantum Efficiency



See [www.flicamera.com](http://www.flicamera.com) for alternate configurations