

# Kepler CMOS Camera

## KL400 FI

### 1.5 e- Noise RMS

The Kepler KL400 FI provides high sensitivity, ultra-low noise with high frame rates, all at a game-changing price to performance ratio. The front illuminated version does not have microlenses.

#### Technical Data

Sensor Type	Front Illuminated CMOS
Sensor	GPixel GSense400
Shutter Type	Rolling
Active Pixels	2048 x 2048
Pixel Size (microns)	11 x 11 $\mu\text{m}$
Imaging Area (Diagonal)	22.5 X 22.5 mm (31.8 mm)
Full Well Capacity	120000 electrons
Typical Readout Noise	1.5 e-
Dynamic Range	97.7 dB
Frame Rate	24 fps (Rolling HDR)
Cooling Method <sup>1</sup>	Air and Liquid
Max. Cooling (Air)	45°C below ambient
Temperature Stability	0.1°C
Dark Current (typical)	0.2 eps at -20C
Interface	USB 3.0 (Optional QSFP <sup>2</sup> )
Data Bit Depth	16 bit <sup>3</sup>
Optional Shutter	45 mm
Optional Mounts	Nikon or Canon
Subarray Readout	Standard
External Trigger In/Out	Standard
SDK / Software	Kepler SDK (Open Source) /
Weight	3 lbs (1.3 kg)

<sup>1</sup> Liquid circulation connectors sold separately

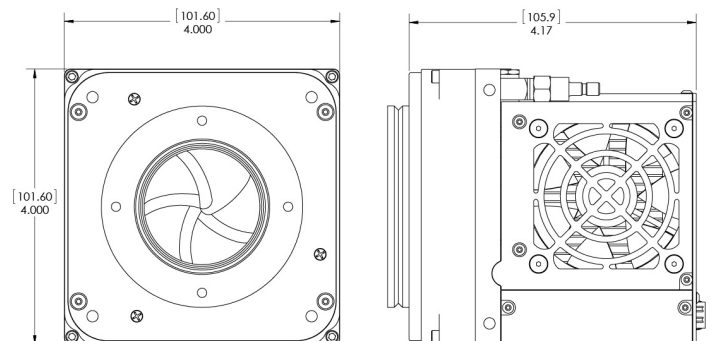
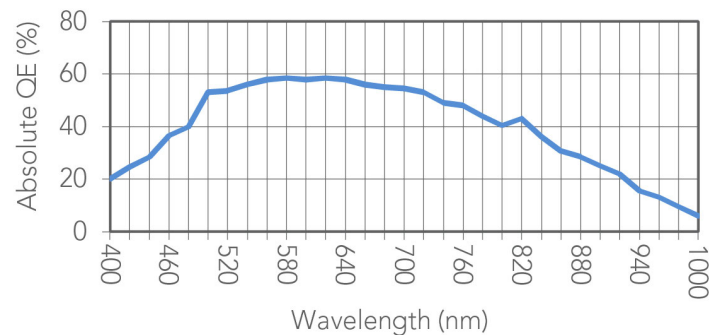
<sup>3</sup> 16-bit data merged from two 12 bit converters

<sup>2</sup> QSFP = Quad Small Form factor Pluggable: high speed fiber optic interface



Also available with 45mm shutter

#### Absolute Quantum Efficiency



See [www.flicamera.com](http://www.flicamera.com) for alternate configurations