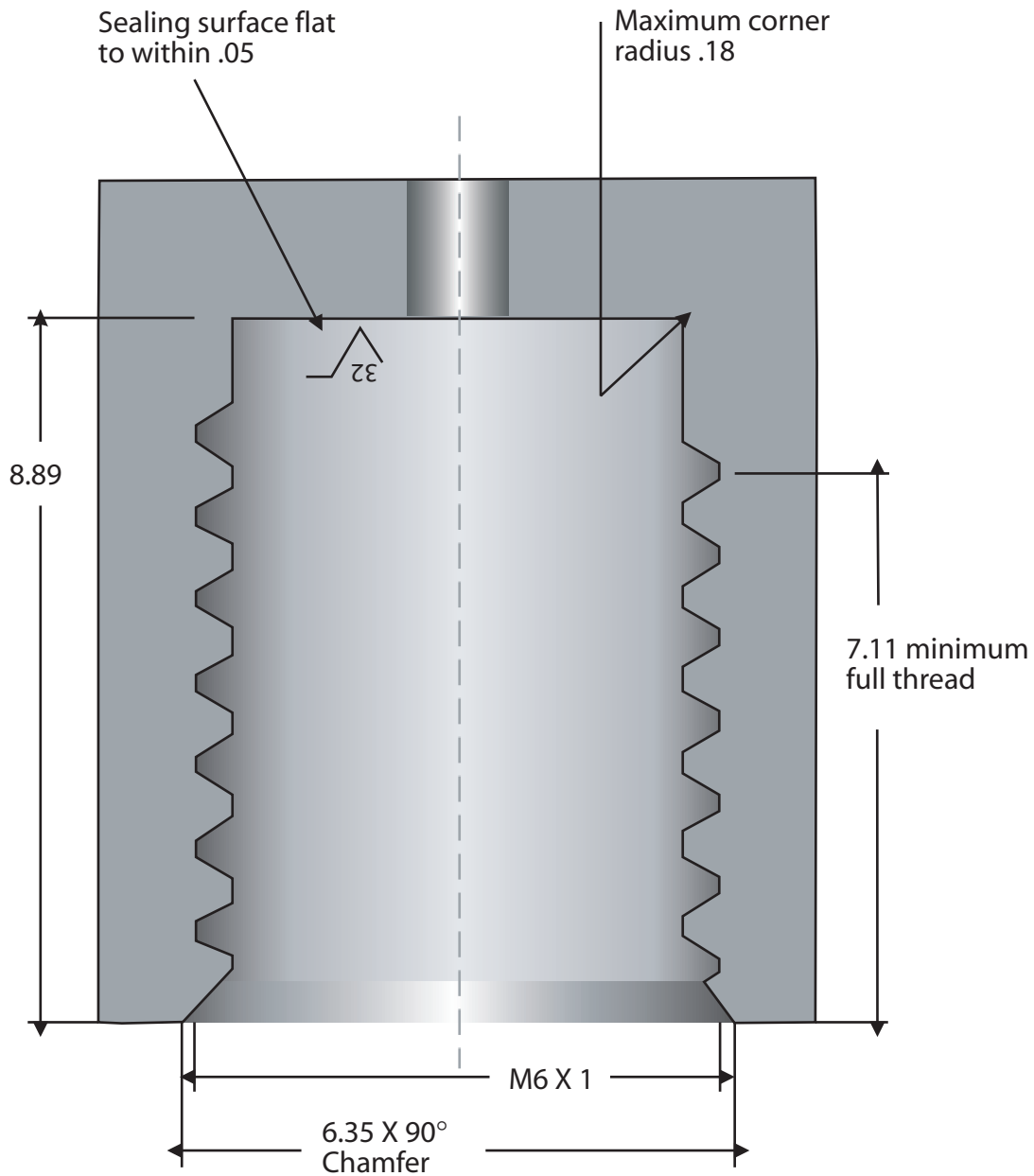


# Standard Port Drawing — Metric

## M6 standard port connection



The dimensions shown on this drawing are subject to change without notice.