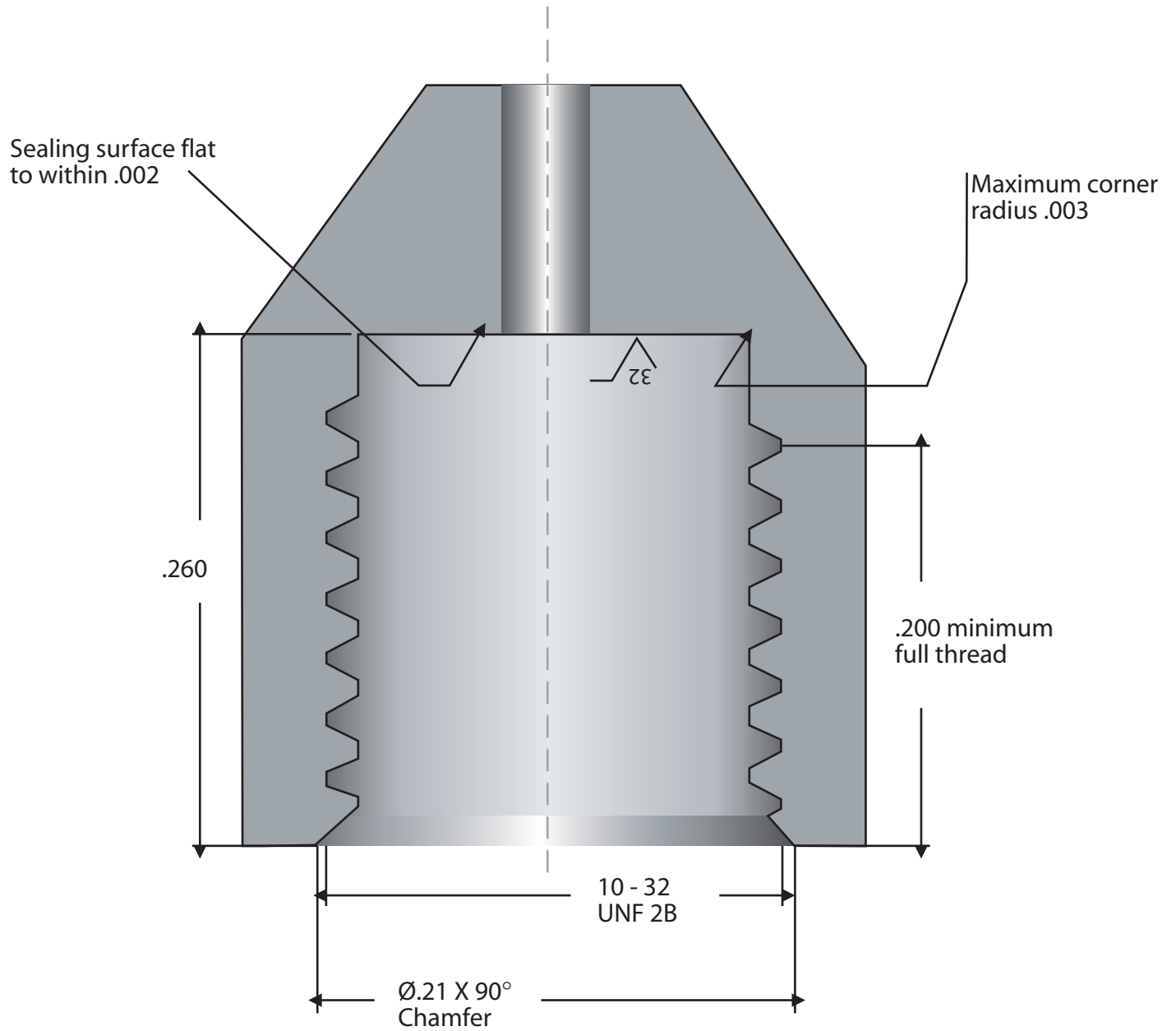


Standard Port Drawing

10-32 standard flat-bottom port



The dimensions shown on this drawing are subject to change without notice.