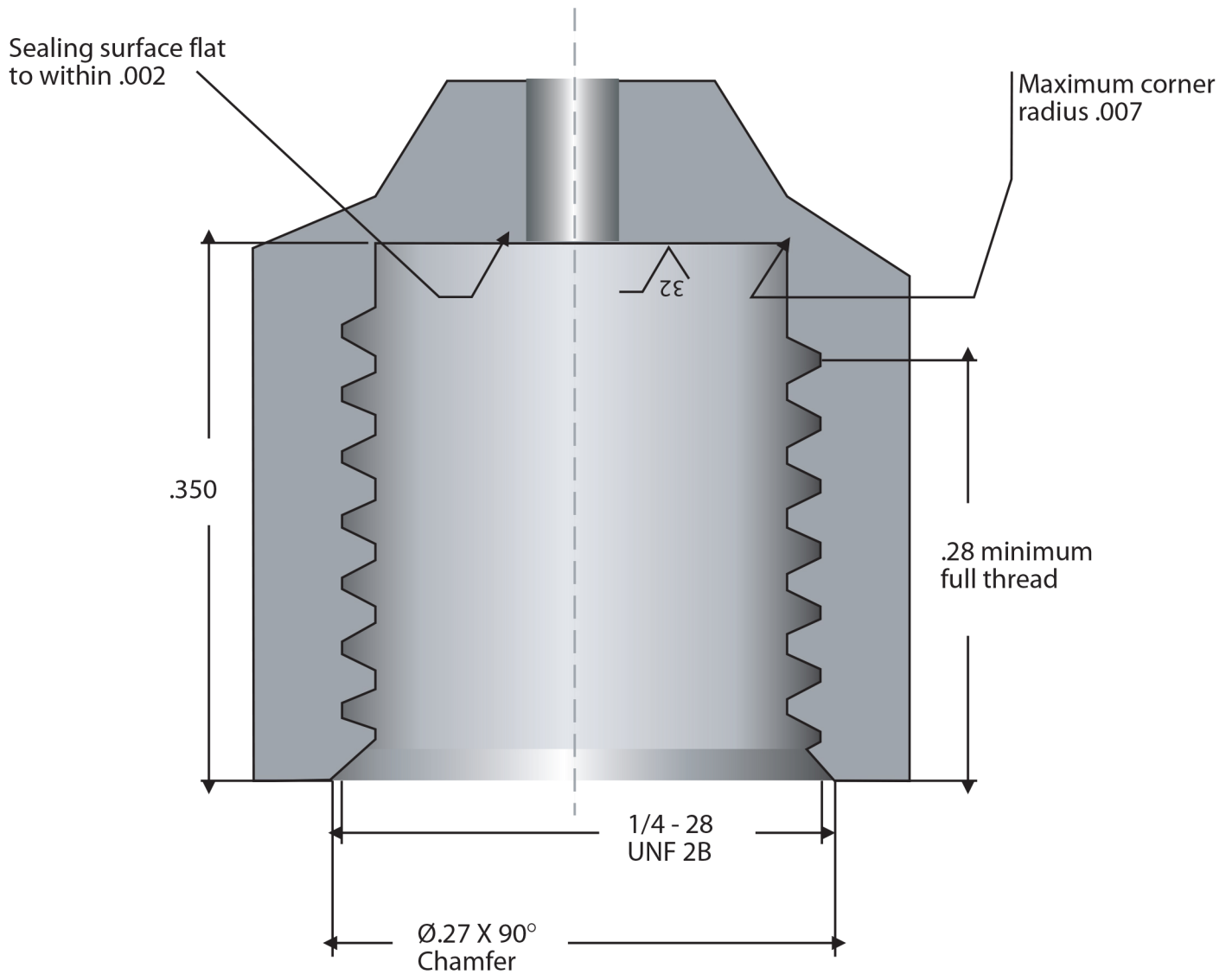


# Standard Port Drawing

1/4-28 standard, flat-bottom port



The dimensions shown on this drawing are subject to change without notice.