

TitanHP™

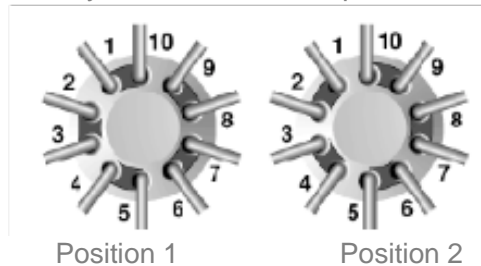
MHP9960-500-1 2-Position, 10-Port

Description

The MHP9960-500-1 is a PEEK 2-position, 10-port motorized valve. This valve includes a circuit board. This board is referred to as the Motor Driver/Valve Controller Board and is programmed for 1-line level control. The design of this valve provides a small footprint.

Flow Diagram

A schematic of the valve flow switching pattern is shown below. The numbered circles represent the ports in the valve stator and stator face assembly. The grooves represent the connecting passages in the rotor seal. Please note that this is a representation of the flow path and may not show the true position of the ports and grooves.



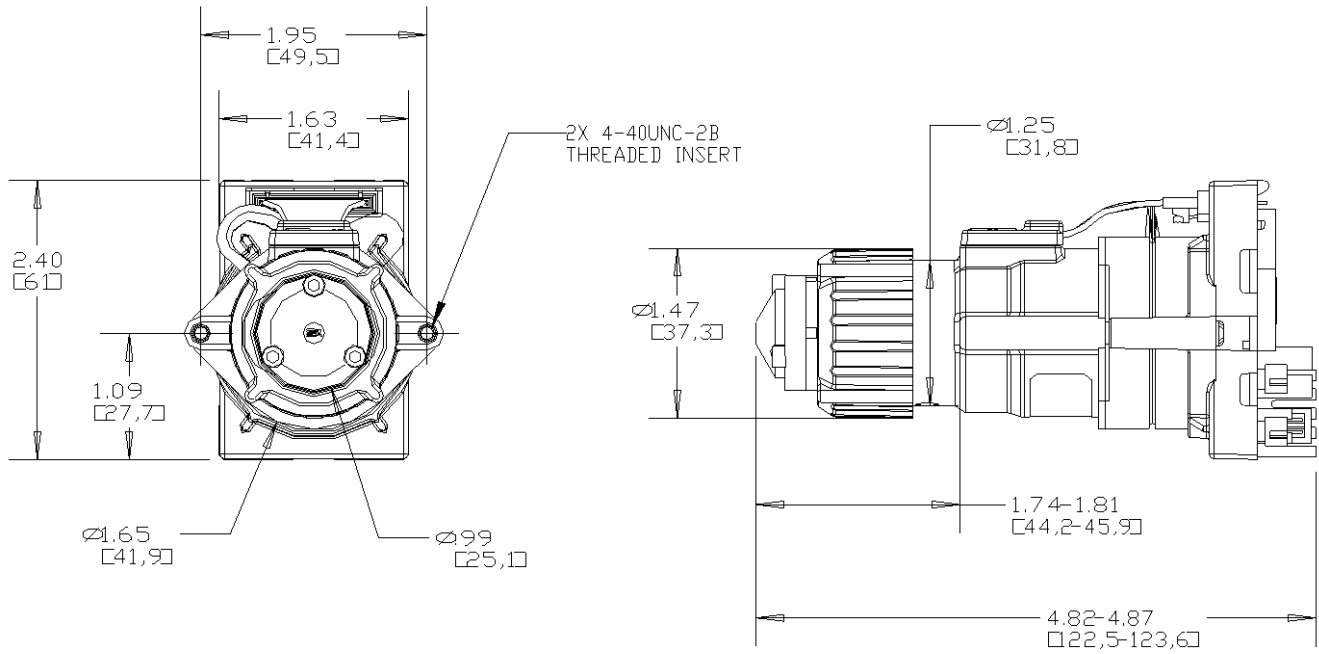
Specifications

- › **Liquid Contacts:** PEEK
- › **Port Size:** Accepts 10-32 male threaded fittings
- › **Flow Passage Diameters:** 0.25-mm (0.010")
- › **Port to Port Volume:** 500nL
- › **Maximum Pressure:** 35 MPa (345 bar, 5000 psi).
- › **Motor:** 5 ohm, spark-free, 7.5 degree stepper motor
- › **Actuation Time:** 100ms
- › **Communication:** 1-Line Level Logic
- › **Drive Board Power Supply Requirements:** 24 VDC \pm 5% at 1 Amp max
- › **Quiescent Current:** 20mA
- › **RoHS Compliant:** Yes

NOTE: Shipping, storing or operating this valve below 0°C with water in the fluid passages may cause failure of the sealing surfaces.

MHP9960-500-1 Dimensional Drawing

Dimensions are in inches [millimeters]



For ordering and technical support, please visit www.idex-hs.com or contact:

North America CustomerService.hs@idexcorp.com | +1 800 426 0191 | +1 360 679 2528

Europe CustomerService.hsEurope@idexcorp.com | +49 1801 808 800

Asia CustomerService.hsAsia@idexcorp.com | North Asia +86 10 6566 9090 | +86 21 5241 5599

South Asia +91 22 66 43 55 50 | Southeast Asia & Oceania +65 6763 6633 | Japan +81 48 240 5750