

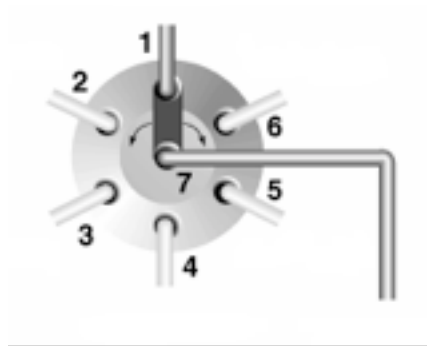
# TitanHT™

HT718-105 6-Position, 7-port

## Description

The HT718-105 is a SupraLife™ 6-position, 7-port motorized switching valve designed to operate at 1200 Bar.

## Flow Diagram



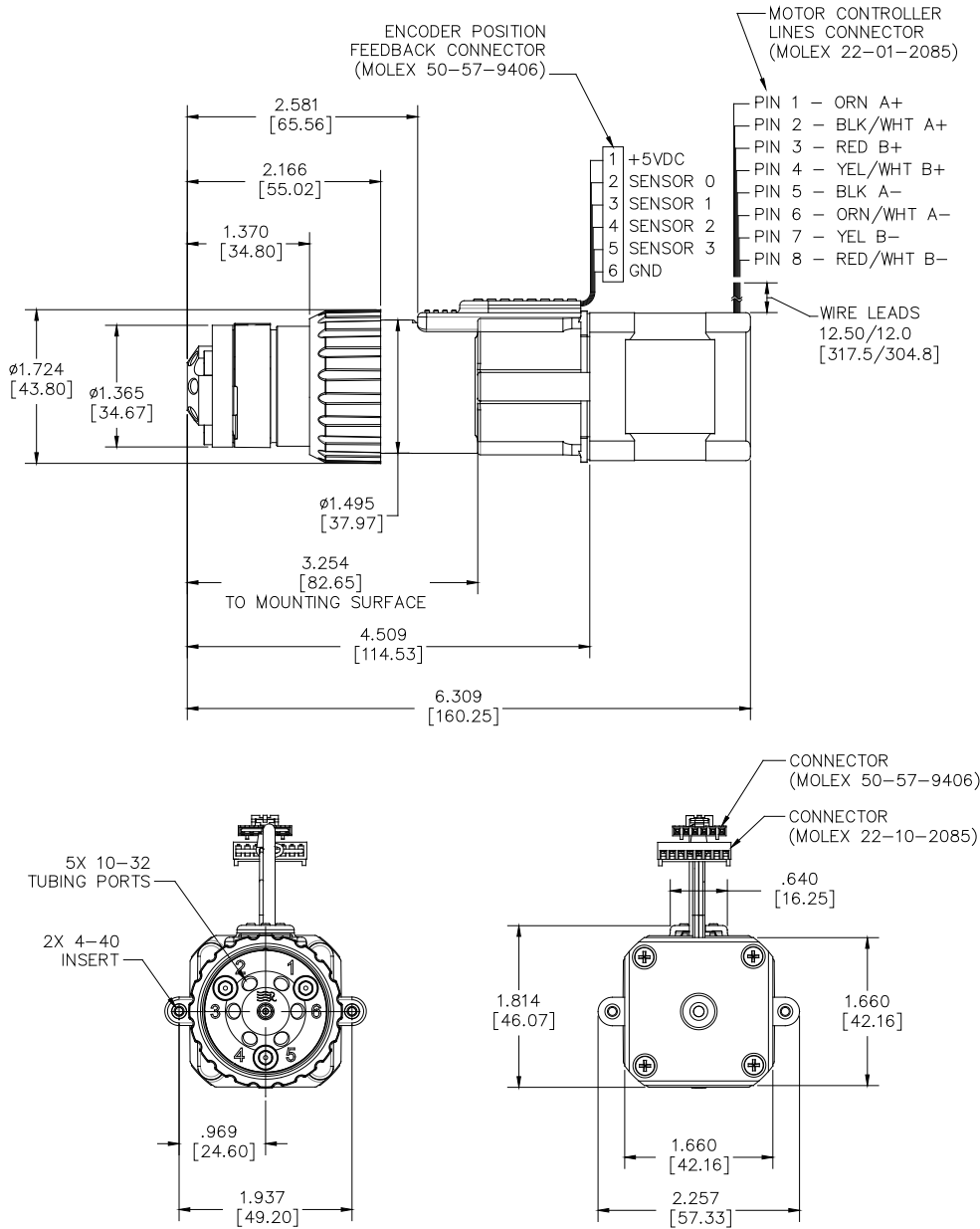
## Specifications

- › **Liquid Contacts:** SupraLife
- › **Connections:** accepts 10-32 male threaded fittings
- › **Flow Passage Diameters:** *Stator:* 0.28-mm (0.011"), *Rotor Seal:* 0.3 mm (0.012")
- › **Volume in Flow Passages:** *Stator:* 0.1 µL/hole, *Rotor Seal:* 0.1 uL/groove
- › **Operating Pressure:** 1200 Bar (120 MPa, 17405 psi)
- › **Maximum Operating Temperature:** Actuator 60°C, Pod 90°C
- › **Position Sensors:** Optoelectric position sensors with encoder wheels
- › **RoHS-Compliant:** Yes
- › **Electrical:** Consult factory
- › **Separate Sale:**
  - PCBA P/N: 8382-103
  - Rotor Seal P/N: 7124-055
  - Stator P/N: 7123-550
  - Ring Bearing P/N: 7010-006

**NOTE: Shipping, storing or operating this valve below 0°C with water in the fluid passages may cause failure of the sealing surfaces.**

### Dimensional Drawing

Dimensions are in inches [millimeters]



For ordering and technical support, please visit [www.idex-hs.com](http://www.idex-hs.com) or contact:

North America CustomerService.hs@idexcorp.com | +1 800 426 0191 | +1 360 679 2528

Europe CustomerService.hsEurope@idexcorp.com | +49 1801 808 800

Asia CustomerService.hsAsia@idexcorp.com | North Asia +86 10 6566 9090 | +86 21 5241 5599

South Asia +91 22 66 43 55 50 | Southeast Asia & Oceania +65 6763 6633 | Japan +81 48 240 5750