

# MX Series II™

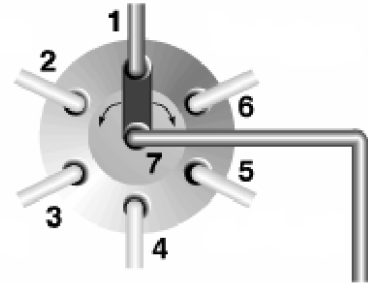
## MXP7970-000 6-Position, 7-Port

### Description

The MXP7970-000 is a DuraLife® II 6-position, 7-port selector valve.

### Flow Diagram

A schematic of the valve flow switching pattern is shown to the right. The numbered circles represent the ports in the valve stator. The groove represents the connecting passage in the rotor seal.



### Specifications

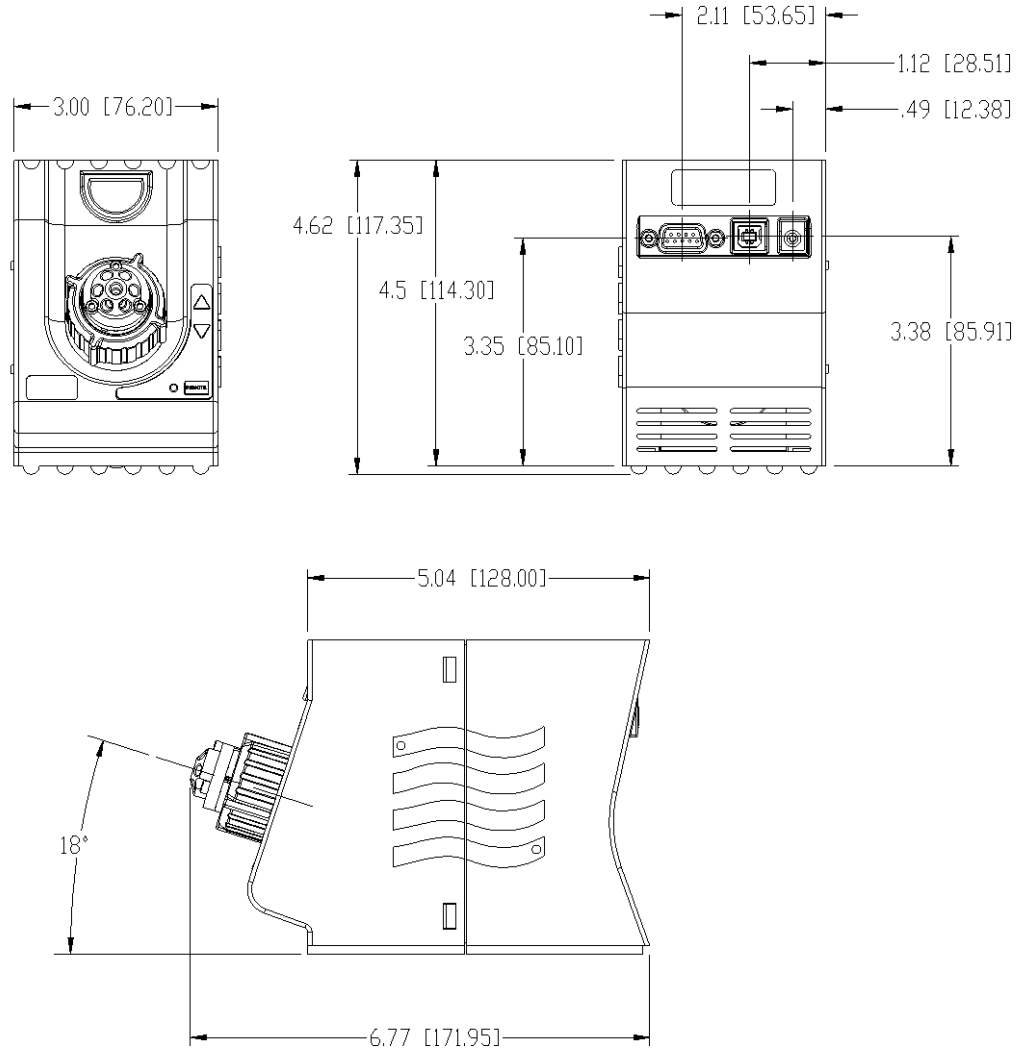
- › **Liquid Contacts:** DuraLife II: coated titanium stator and polyimide-based rotor seal
- › **Port Size:** Accepts 10-32 male threaded fittings
- › **Flow Passage Diameters:** *Stator*- 0.3 mm (0.012"), *Rotor Seal*- 0.25 mm (0.010")
- › **Port to Port Volume:** 415 nL
- › **Maximum Pressure:** 41 MPa (414 bar, 6000 psi).
- › **Communication:** 4-line BCD, USB, or I<sup>2</sup>C (default) or RS-232 (factory set)
- › **Electrical Requirements:** 24 VDC, 1.88 A
- › **Cabling:** Connected cables should not exceed 3 meters in length
- › **RoHS Compliant:** Yes

### Supplied With

- › RheFlex® on-piece PEEK fitting sets with colored ChromTRAC™ knobs
- › Adhesive feet (4)
- › Universal power supply
- › Power cord (multi-national cords available)
- › Interface cable
- › Jumper wires (3)
- › USB cable

**NOTE: Shipping, storing or operating this valve below 0°C with water in the fluid passages may cause failure of the sealing surfaces.**

**MXP7970-000 Dimensional Drawing**  
Dimensions are in inches [millimeters]



**For ordering and technical support, please visit [www.idex-hs.com](http://www.idex-hs.com) or contact:**

**North America** CustomerService.hs@idexcorp.com | +1 800 426 0191 | +1 360 679 2528

**Europe** CustomerService.hsEurope@idexcorp.com | +49 1801 808 800

**Asia** CustomerService.hsAsia@idexcorp.com | **North Asia** +86 10 6566 9090 | +86 21 5241 5599

**South Asia** +91 22 66 43 55 50 | **Southeast Asia & Oceania** +65 6763 6633 | **Japan** +81 48 240 5750