

TitanEX™

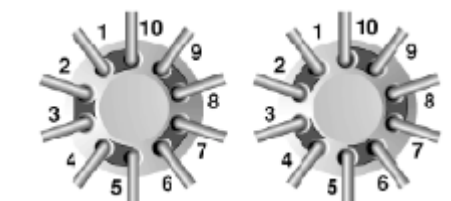
MLP778-607 2-Position 10-Port

Description

The MLP778-607 is a low pressure, 2-position, 10-port motorized injection/switching valve that includes a circuit board. The design of this valve provides a small footprint. A unique patented* Tubing Connection System eliminates the need for threaded nuts and ferrules for tubing retention and liquid sealing.

Flow Diagram

A schematic of the valve flow switching pattern is shown to the right. The numbered circles represent the ports in the valve stator. The grooves represent the connecting passages in the rotor seal. Please note that this is a representation of the flow path and may not show the true position of the ports and grooves.



Position 1

Position 2

Specifications

- › **Liquid Contacts:** RPC-7
- › **Port Size:** Accepts 1/16" OD tubing directly into the valve
- › **Flow Passage Diameters:** 1.0-mm (0.040")
- › **Volume in Flow Passages:** *Stator*- 5.1 µL/hole, *Rotor Seal*- 2.3µL/groove
- › **Maximum Pressure:** 0.9 MPa (9 bar, 125 psi)
- › **Motor:** 5 ohm, spark-free, 7.5 degree stepper motor
- › **Actuation Time:** 280ms
- › **Communication:** 4-Line BCD
- › **Drive Board Power Supply Requirements:** 24 VDC ± 5% at 1 Amp max
- › **Quiescent Current:** 20mA
- › **RoHS Compliant:** Yes

* US Patent 7,014,222 dated 03/21/2006

Page 1 of 2
MLP778-607 2321451C
07/08/2016

NOTE: Shipping, storing or operating this valve below 0°C with water in the fluid passages may cause failure of the sealing surfaces.

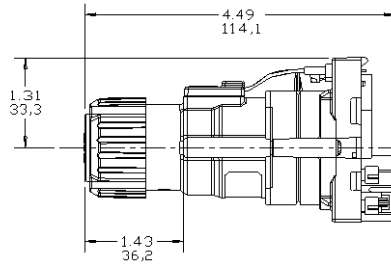
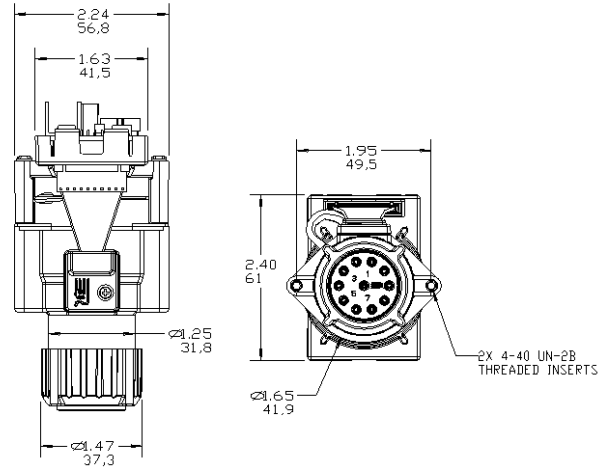
MLP778-607

Dimensional Drawing

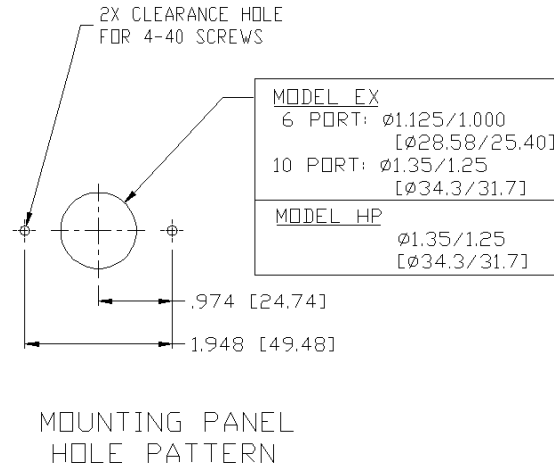
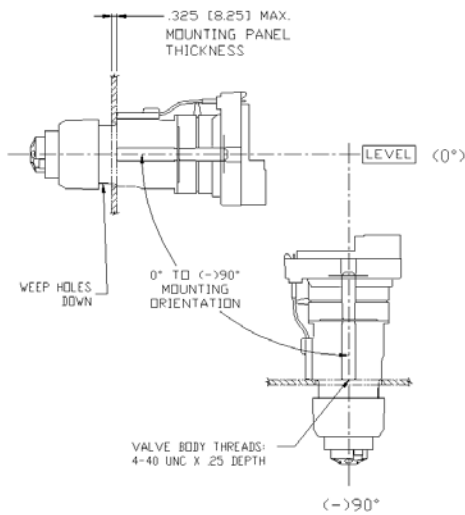
Dimensions are in inches [millimeters]

IDEX Health & Science's® valves are designed for use with fluids. Prolonged operation of the valve without fluid in contact with the valve's sealing surfaces may result in permanent damage and/or a loss of performance.

* This model includes 1/16" O-rings at the base of the stator ports.



Mounting Orientation:



For ordering and technical support, please visit www.idex-hs.com or contact:

North America CustomerService.hs@idexcorp.com | +1 800 426 0191 | +1 360 679 2528

Europe CustomerService.hsEurope@idexcorp.com | +49 1801 808 800

Asia CustomerService.hsAsia@idexcorp.com | North Asia +86 10 6566 9090 | +86 21 5241 5599

South Asia +91 22 66 43 55 50 | Southeast Asia & Oceania +65 6763 6633 | Japan +81 48 240 5750