

TitanEX™

MLP778-605 and MLP778-606
10-Position, 11-Port Selector

Description

The MLP778-605 and 606 are low pressure, 10-position, 11-port motorized selection valves that include a circuit board. Model MLP778-605 accepts 1/16" tubing and model MLP778-606 accepts 1/8" tubing. The design of these valves provides a small footprint. A unique patented* Tubing Connection System eliminates the need for threaded nuts and ferrules for tubing retention and liquid sealing.

Flow Diagram

The flow switching pattern of the valve is shown to the right. The circles represent the ports in the valve ram and stator. The dark slot represents the connecting passage in the rotor seal.



Specifications

- › **Liquid Contacts:** RPC-7
- › **Port Size:** MLP778-605 accepts 1/16" OD tubing directly into the valve
MLP778-606 accepts 1/8" OD tubing directly into the valve
- › **Flow Passage Diameters:** 1.0-mm (0.040")
- › **Volume in Flow Passages:** Stator- Center Port - 3.1 µL/hole, Peripheral Ports - 5.1 µL/hole,
Rotor Seal- 3.4 µL/groove
- › **Maximum Pressure:** 0.9 MPa (9 bar, 125 psi)
- › **Motor:** 5 ohm, spark-free, 7.5 degree stepper motor
- › **Actuation Time:** 280ms
- › **Communication:** 4-Line BCD
- › **Drive Board Power Supply Requirements:** 24 VDC ± 5% at 1 Amp max
- › **Quiescent Current:** 20mA
- › **RoHS Compliant:** Yes

* US Patent 7,014,222 dated 03/21/2006

Page 1 of 2
MLP778-605,MLP778-606 2321166G
07/08/2016

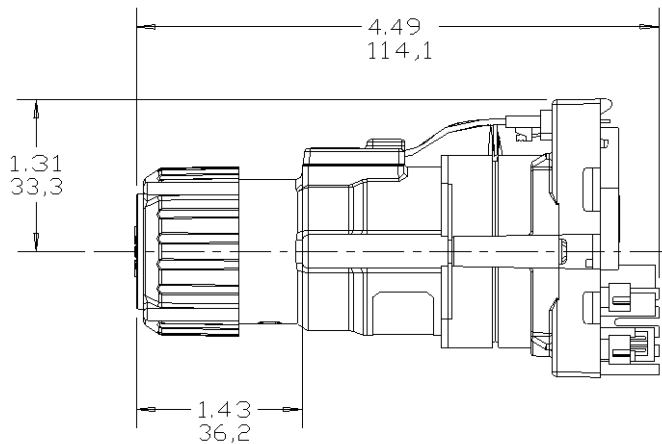
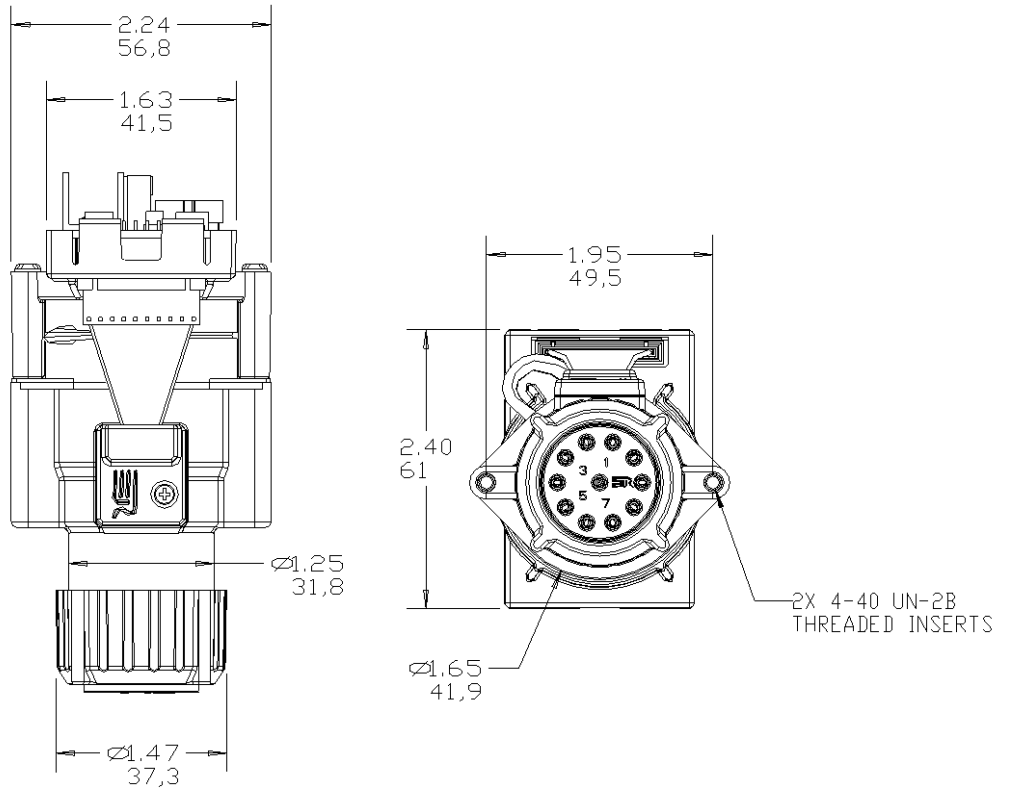
NOTE: Shipping, storing or operating this valve below 0°C with water in the fluid passages may cause failure of the sealing surfaces.

Dimensional Drawing

Dimensions are in inches
[millimeters]

IDEX Health & Science's® valves are designed for use with fluids. Prolonged operation of the valve without fluid in contact with the valve's sealing surfaces may result in permanent damage and/or a loss of performance.

* The model MLP778-605 includes 1/16" O-rings at the base of the stator ports.



For ordering and technical support, please visit www.idex-hs.com or contact:

North America CustomerService.hs@idexcorp.com | +1 800 426 0191 | +1 360 679 2528

Europe CustomerService.hsEurope@idexcorp.com | +49 1801 808 800

Asia CustomerService.hsAsia@idexcorp.com | North Asia +86 10 6566 9090 | +86 21 5241 5599

South Asia +91 22 66 43 55 50 | Southeast Asia & Oceania +65 6763 6633 | Japan +81 48 240 5750