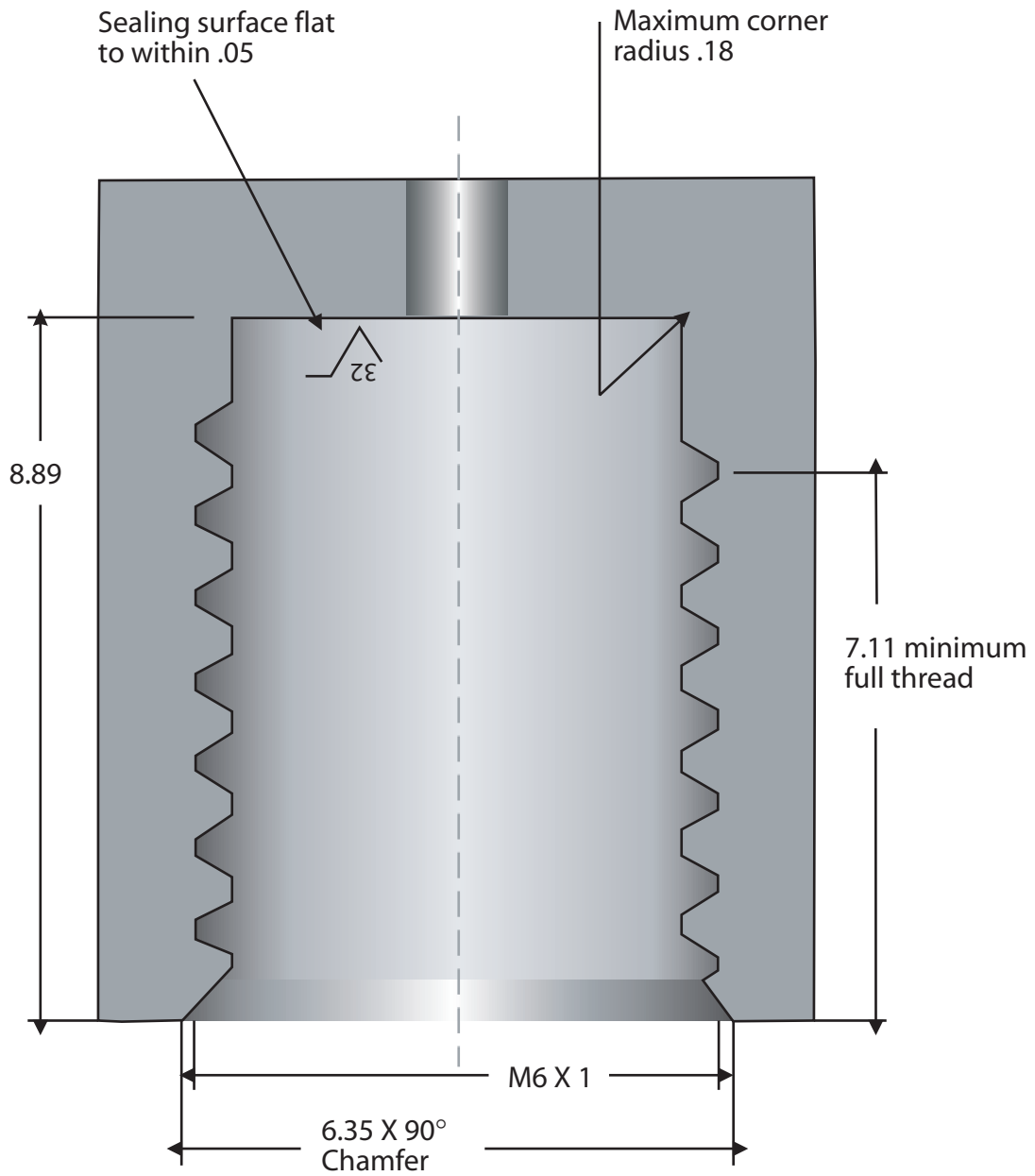


Standard Port Drawing — Metric

M6 standard port connection



The dimensions shown on this drawing are subject to change without notice.