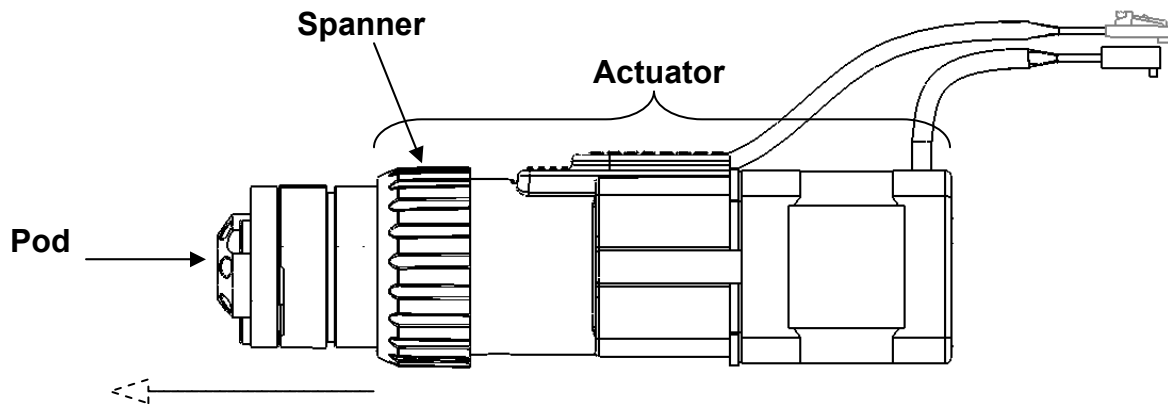


TitanHT™ Rapid Replacement Pod™ Instructions

1. Removing Pod from Actuator

Remove sample loop if present then unscrew the Spanner that holds the Pod in the Actuator as shown in Figure 1. (Do not use a wrench for this step. Spanner should be tightened and loosened by hand only.) Once the Spanner is free, pull the Pod from the Actuator. Pod should be removed with only a minimal amount of force.



Pull POD in this direction after removing spanner.

Figure 1
TitanHT Fully Assembled

2. Inserting Rapid Replacement Pod

The position of the Pod does not matter when installing. Pod can be misaligned as shown in Figure 3.

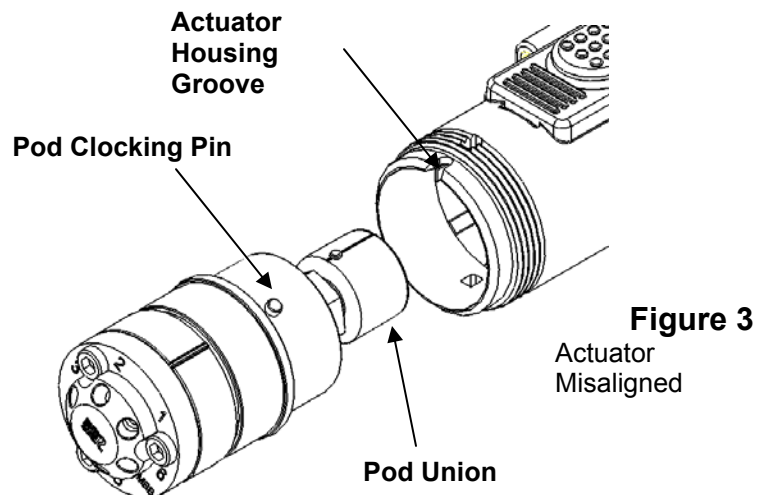
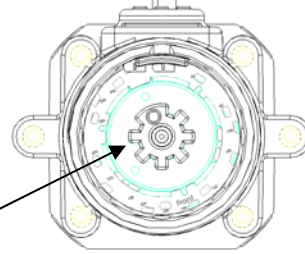


Figure 3
Actuator Misaligned

(Inserting Rapid Replacement Pod™ continued)

a. First, insert the new Pod into the actuator. The Pod Union (see Figure 3) will make contact with Spline in the Actuator (see Figure 4).

Figure 4
Actuator Spline



b. While lightly pressing, rotate the Pod until the Pod Union slips further into the Actuator and the Clocking Pin makes contact with the Actuator. These parts will only align one way (see Fig. 5)

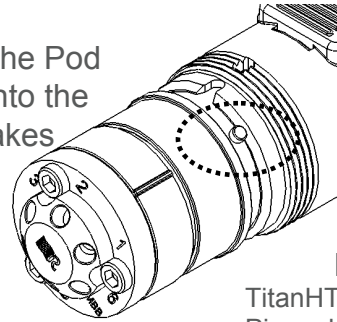


Figure 5
TitanHT™ Clocking
Pin making contact
with Actuator.

c. Next, rotate the Pod until Clocking Pin in the Pod is seated inside the Clocking Groove in the Actuator as shown in Figure 6.

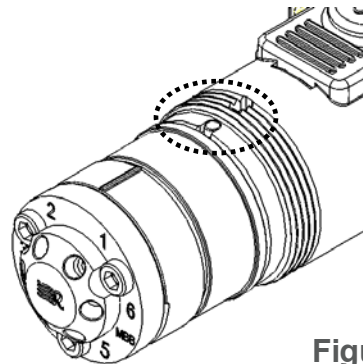


Figure 6
TitanHT Clocking Pin seated in
Actuator Groove.

d. Finally, reinstall the Spanner (hand tighten only), as shown in Figure 1, and install sample loop (if equipped).