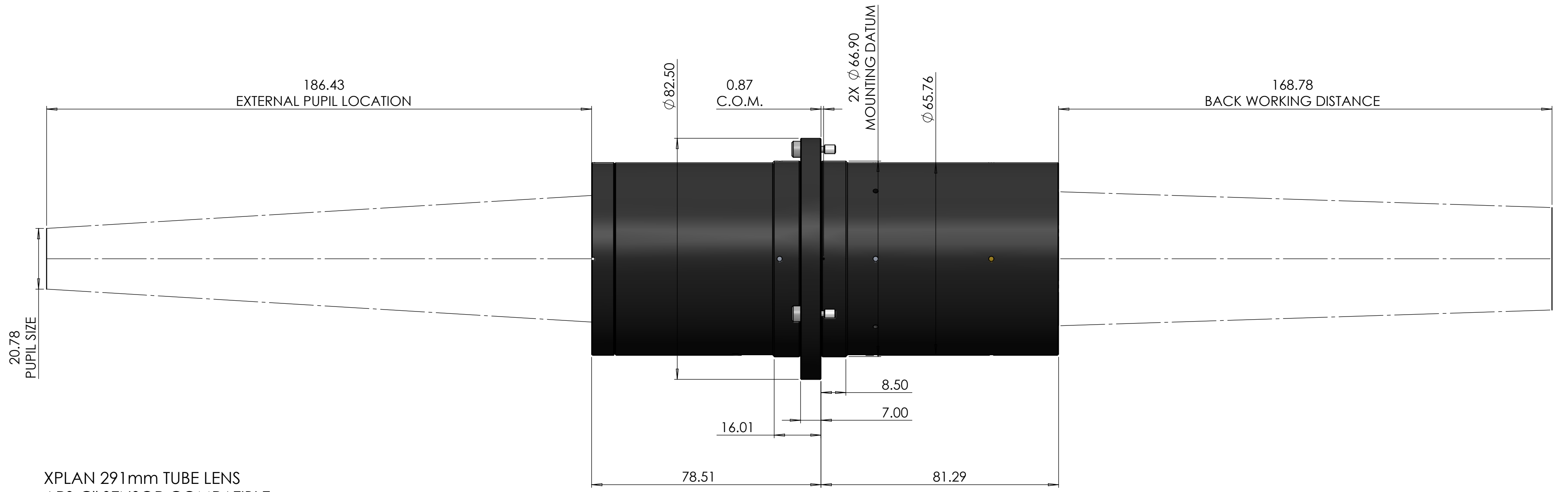
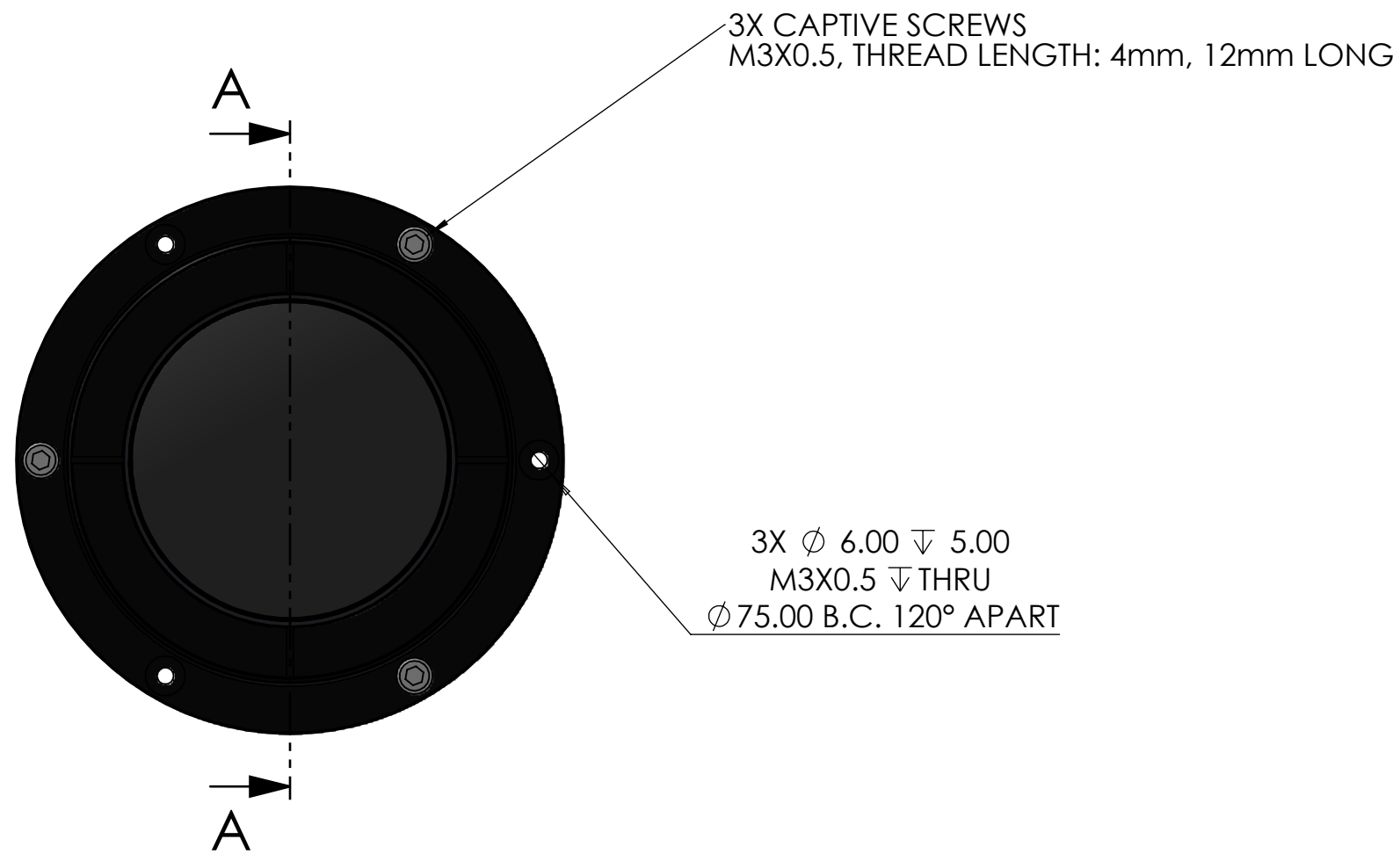


REV.	DESCRIPTION	DATE	APPROVED
1	RELEASE	1/15/2024	JW



XPLAN 291mm TUBE LENS
 APS-C" SENSOR COMPATIBLE
 MAX FOV: 35.2mm
 FOCAL LENGTH: 291mm
 MASS: 918g
 WAVELENGTH CORRECTION: 438-790nm
 BACK WORKING DISTANCE: 168.78mm
 TRANSMISSION: >93% @633nm
 DISTANCE FROM OBJECTIVE: UP TO 150mm

FOR INFORMATION ONLY

UNLESS OTHERWISE SPECIFIED
 DIMENSIONS ARE IN MILLIMETERS
 TOLERANCES ARE:
 FILLET RADIUS: 0.5 MAX
 BREAK SHARP EDGES: 0.13 MAX

X.	\pm 0.8	1.6/ MAX
X.X	\pm 0.25	
X.XX	\pm 0.13	ANGLES \pm 1°

INTERPRET DIMENSIONS AND
 TOLERANCES PER ASME Y14.5M-2009

THIRD ANGLE PROJECTION

THIS DOCUMENT CONTAINS PROPRIETARY INFORMATION OF IDEX H&S AND IS TENDERED SUBJECT TO THE CONDITIONS THAT THE INFORMATION (A) BE RETAINED IN CONFIDENCE, (B) NOT BE REPRODUCED OR COPIED IN WHOLE OR PART, (C) NOT BE LEASED TO A THIRD PARTY, (D) NOT BE USED OR INCORPORATED IN ANY PRODUCT, EXCEPT UNDER EXPRESS WRITTEN AGREEMENT WITH IDEX H&S.

INFORMATION CONTAINED HEREIN IS CLASSIFIED AS UNDER EXPORT ADMINISTRATION REGULATIONS (15 CFR 730.774) ISSUED BY U.S. DEPARTMENT OF COMMERCE. AN EXPORT LICENSE ISSUED BY U.S. DEPARTMENT OF COMMERCE OR EAR EXCEPTION MAY BE REQUIRED PRIOR TO EXPORT OR TRANSFER OF THIS INFORMATION TO CERTAIN PARTIES OR END-USERS DIVERSION, CONTRARY TO U.S. LAW IS PROHIBITED.

APPROVALS	DATE
DRAWN Williamson, Jesse	04/17/2024
CHECKED	--
PROJ. ENG.	--
MFG. ENG.	--

DESCRIPTION TUBE LENS, 291mm OUTLINE	
SIZE C	DWG. NO. 065750 OUTLINE
SCALE: 1:1	PROJ. NO.
REV 1	
SHEET 1 OF 1	