

TitanHP™

MHP7920-000

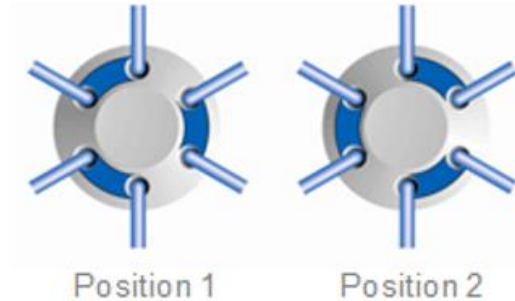
Injection Valve Vertical Port, 2 Position/6 Port, without PCB

Description

The MHP7920-000 is a 2-position, 6-port motorized valve with a vertical port. The design of this valve provides a small footprint.

Flow Diagram:

A schematic of the valve flow switching pattern is shown below. The numbered circles represent the ports in the valve stator. The grooves represent the connecting passages in the rotor seal.



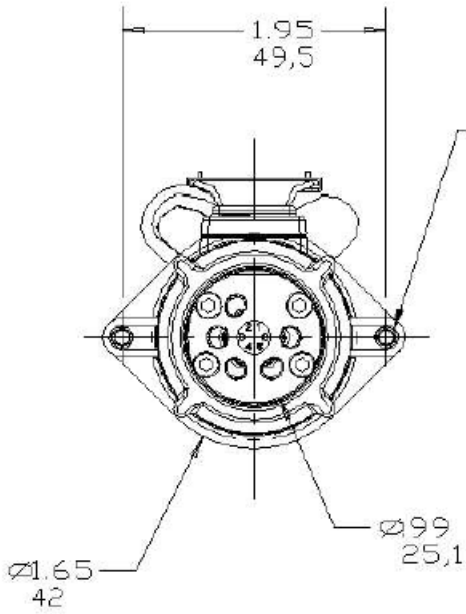
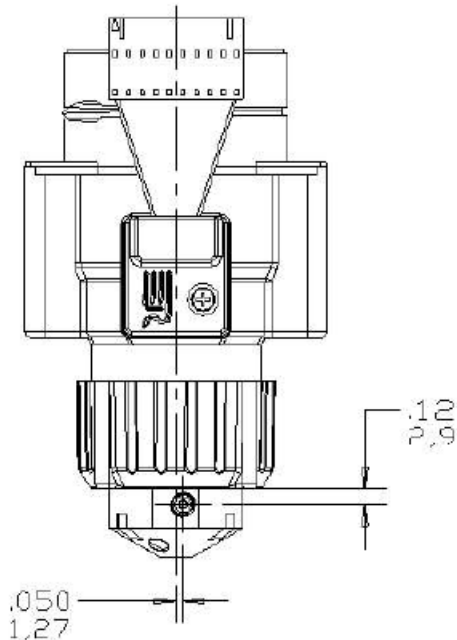
Specifications

- **Liquid Contacts:** DuraLife®, SPC-1 coated stainless steel stator with Vespel blend rotor seal.
- **Connections:** Accepts 10-32 UNF-2B male fittings
- **Flow Passage Diameters:** Stator 0.3mm (0.012") and 0.25mm (0.010") for vertical port, Rotor Seal 0.25mm (0.010")
- **Port-to-Port Volume:** 445nL and 586nL with vertical port
- **Operating Pressure:** Maximum pressure 413 bar (6,000 psi, 41 MPa)
- **Operating Humidity:** <95% humidity, non-condensing
- **Shipping and Storage Temperature:** Shipping, storing or operating this valve below 0°C with water in the fluid passages may cause failure of the sealing surfaces.
- **Regulatory Reach and RoHS Compliant:** Yes

Dimensional I Drawings

Dimensions are in inches [millimeters]

For Reference Only



2X 4-40UNC-2B
THREADED INSERT

