

# BioLine CMOS Camera

BL183

PRELIMINARY

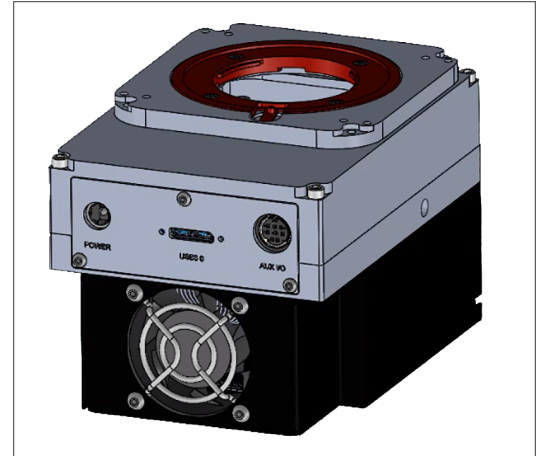
## 20 Megapixels at Up to 25 fps

The BioLine BL183 cooled CMOS camera provides high sensitivity, low noise, and high frame rates, all at a game-changing price to performance ratio.

### Technical Data

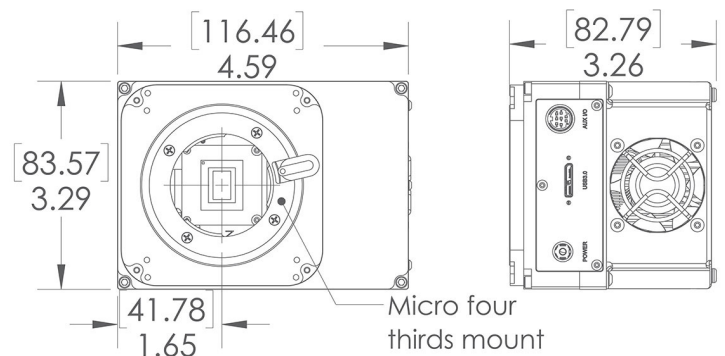
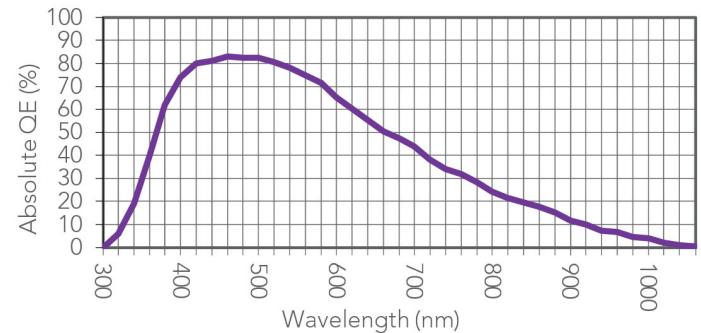
Sensor Type	Back Illuminated CMOS
Sensor	Sony IMX183
Shutter Type	Rolling
Active Pixels	5472 x 3648
Pixel Size (microns)	2.4 x 2.4 $\mu\text{m}$
Imaging Area (Diagonal)	13.1 X 8.7 mm (15.7 mm)
Full Well Capacity	16000 electrons
Typical Readout Noise	2.7 e- (rolling)
Dynamic Range	75.1 dB
Frame Rate	20 fps
Cooling Method <sup>1</sup>	Air or optional Liquid
Max. Cooling (Air)	40°C below ambient
Temperature Stability	0.1°C
Dark Current (typical)	0.003 eps at -15C
Interface	USB 3.0
Data Bit Depth	12 bit
Optional Shutter	None
Optional Mounts	C-mount; Micro 4/3
Subarray Readout	Yes
External Trigger In/Out	Yes
SDK / Software	Kepler / FLI Pilot
Weight	2 lbs (.9 kg)

<sup>1</sup> Liquid circulation connectors sold separately



BL183 with air cooling

### Absolute Quantum Efficiency



See [www.flicamera.com](http://www.flicamera.com) for alternate configurations