

BioVersal™ Valve

Product Data Sheet



100%
Bioinert



Ultra-high
Pressure



TitanHT™ / Easy to
Integrate Footprint



Patented Liquid
End Design



Flat-Face Sealing
Technology

BioVersal™

The 2-position, 6-port BioVersal™ valve is 100% metal-free, making it ideal for protein and peptide applications. Unlike other bioinert valves, it is pressure rated up to 1,300 bar (130 MPa, 18,550 psi). Using IDEX Health & Science's flat-faced sealing technology, dead volume is eliminated leaving you with reliable results, injection after injection.



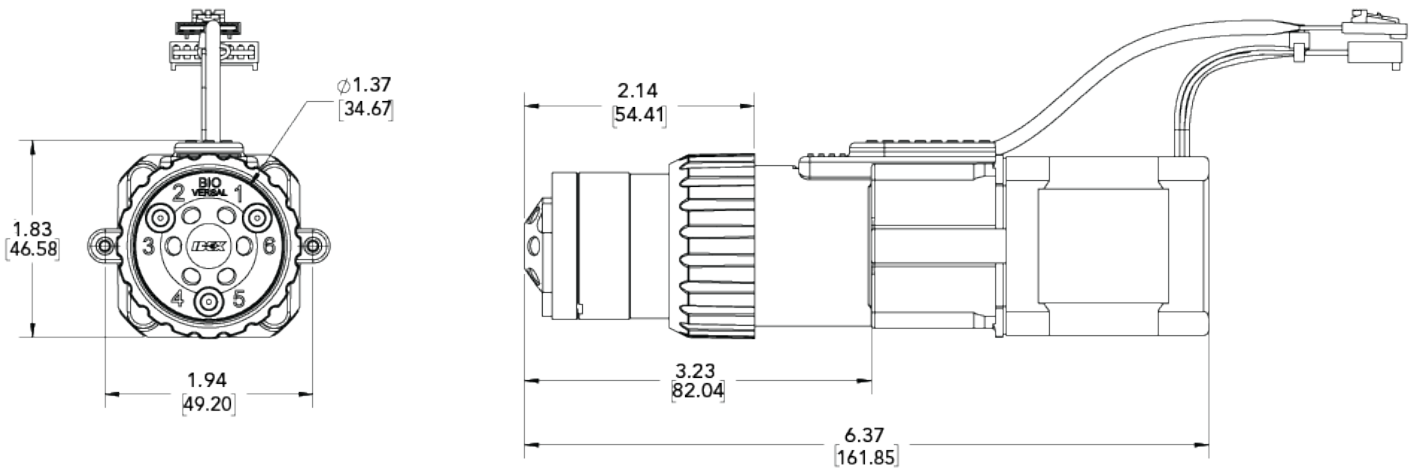
FLAT-FACED
SEALING
CONNECTIONS
ZERO
DEAD VOLUME

BIOINERT
Metal-Free
Flow Path

HIGH PRESSURE
1,300 bar
(130 MPa,
18,885 psi)



Intelligent Solutions for Life™
Fluidics | Optics | Consumables | Assemblies



Dimensions are for reference only.

Specifications

Configuration	2-position, 6-port
Liquid Contacts	Ceramic
Connections	10-32 threaded ports for face sealing connections <u>only</u> (MarvelX™; MarvelXACT™)
Flow Path Diameter	0.010"
Volume in Flow Passages	Stator: 0.11 µL per hole Rotor Seal: 0.03 µL per groove
Port to Port Volume	0.24 µL
Max Pressure	1,300 Bar (130 MPa, 18,855 psi)

Bioinert Sample Loops

Part Number	Description
UPFP6-005	5 µL Peek Lined SST Sample Loop
UPFP6-010	10 µL Peek Lined SST Sample Loop
UPFP6-020	20 µL Peek Lined SST Sample Loop
UPFP6-050	50 µL Peek Lined SST Sample Loop
UPFP6-100	100 µL Peek Lined SST Sample Loop

FLOW PATH

